

# CON4 digital Sauna controller instruction

## I. Controller ( Diagram 1 )

1. **Sauna light switch:** turn on and off the sauna light connected to the controller. The sauna light indicator lights up when the sauna light turns on; The sauna light indicator lights off after the sauna light is turned off.
2. **ON/OFF key:** turn on and off the controller and also the sauna heater.

**Remark:** The controller automatically enters into work mode A every time the controller is turned on, the operation time show the last setting time.

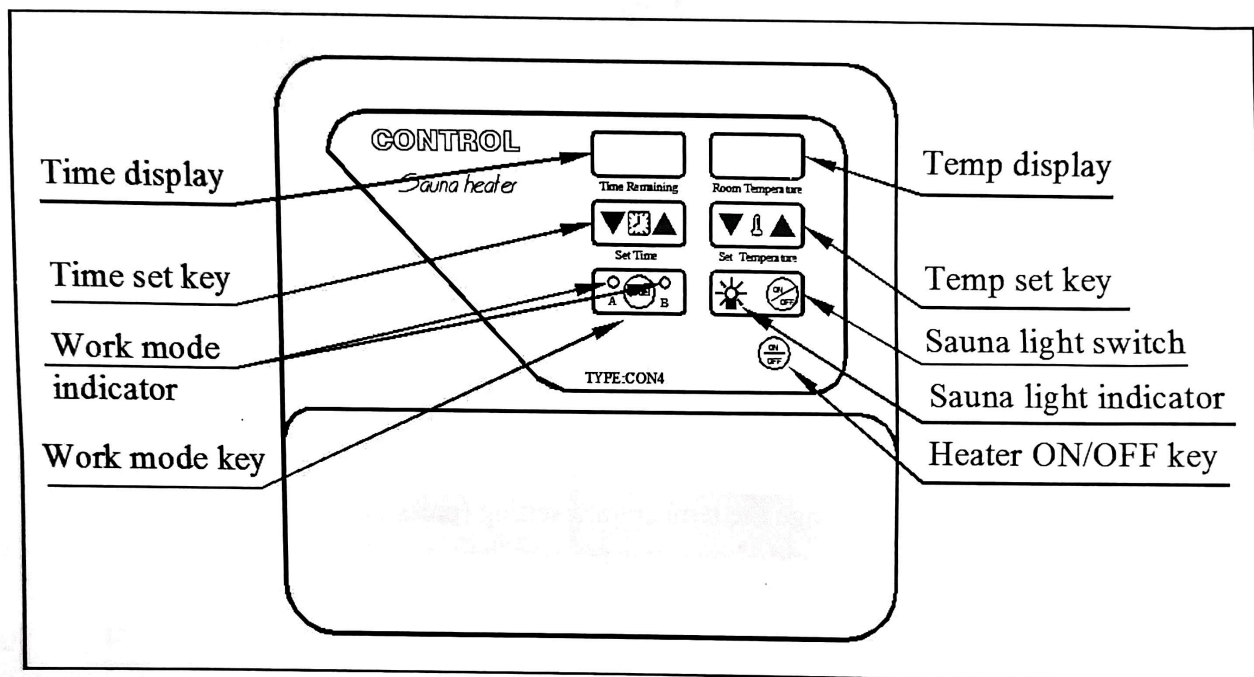


Diagram 1 CON4 DIGITAL CONTROLLER

## II. Settings ( Diagram 1 )

### 1. WORK MODE :

#### Work MODE A:

When indicator light "A" is on, system is in work mode A. In mode A, it has wait function. The heating time is up to four hours, and presetting (waiting) time is up to eight hours. Time setting in the 0:30-4:00 section is to let the heater work immediately without any delay. Time setting in the 4:30-12:00 section is to let the heater wait for half hour to 8 hours and then heat for 4 hours.

For example:

Time setting to 2:00 means that the heater will heat up continuously for 2 hours without any delay.

Time setting to 6:30 means that the heater will wait 2 and half hours, then start to heat up continuously for the rest 4 hours.

With wait function, you could delay the sauna heater for a certain time.

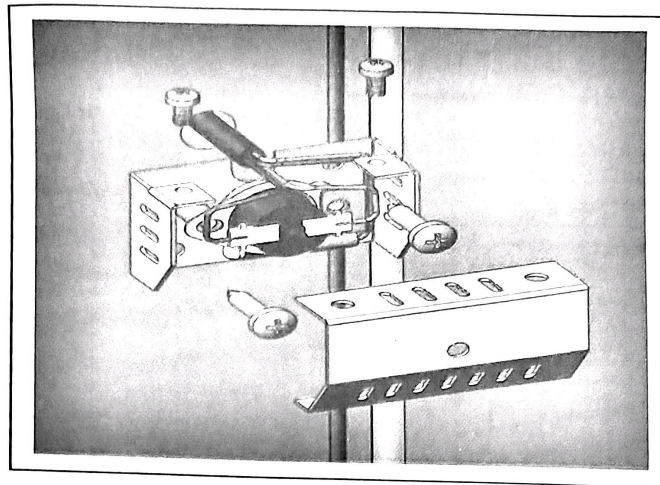


DIAGRAM 2 INSTALL THE TEMPERATURE SENSOR

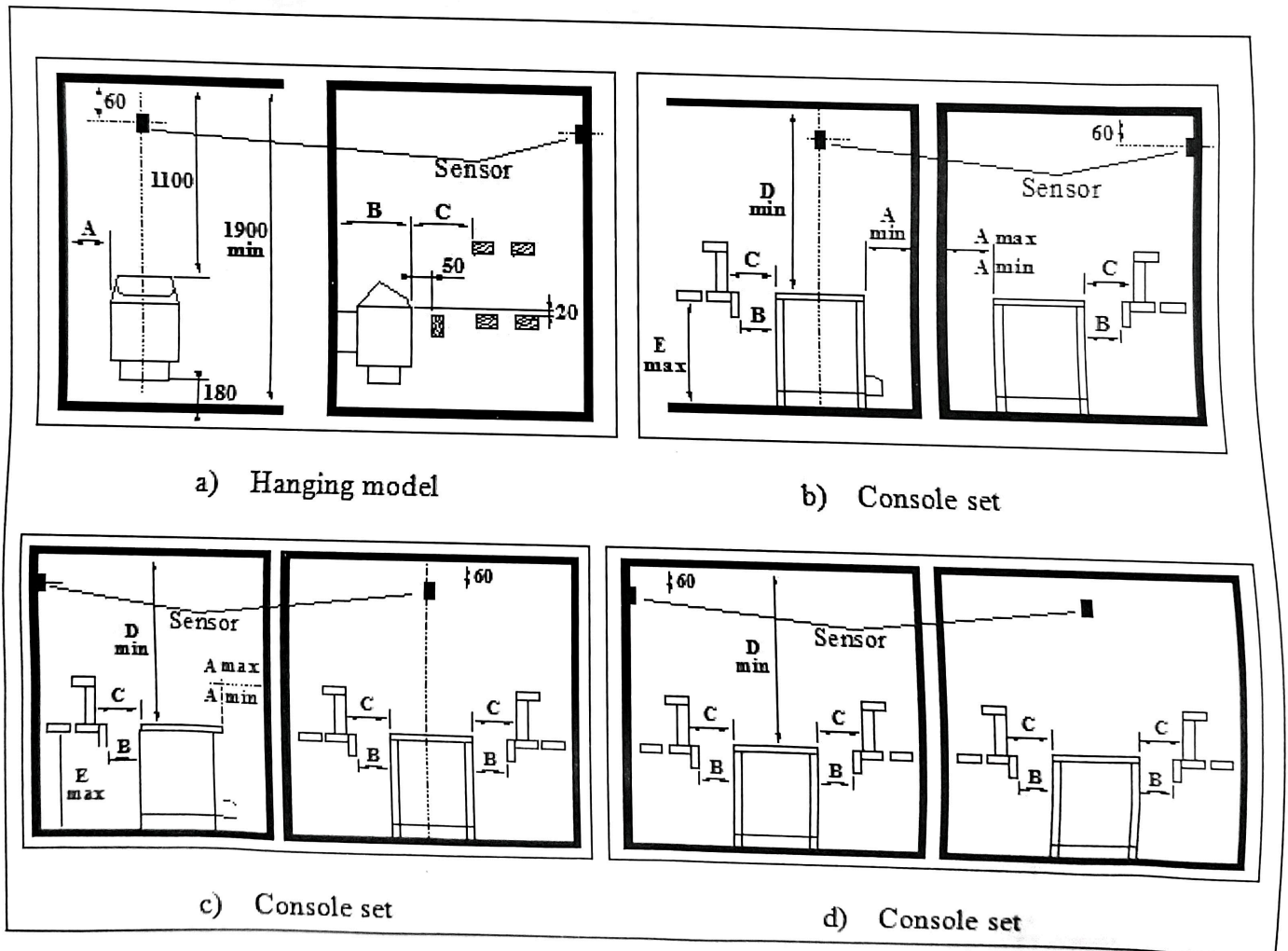


DIAGRAM 3 RECOMMENDED LOCATION FOR THE TEMPERATURE SENSOR

## Wire connection of the controller

( refer to diagram 4, diagram 5 and diagram 6 7).

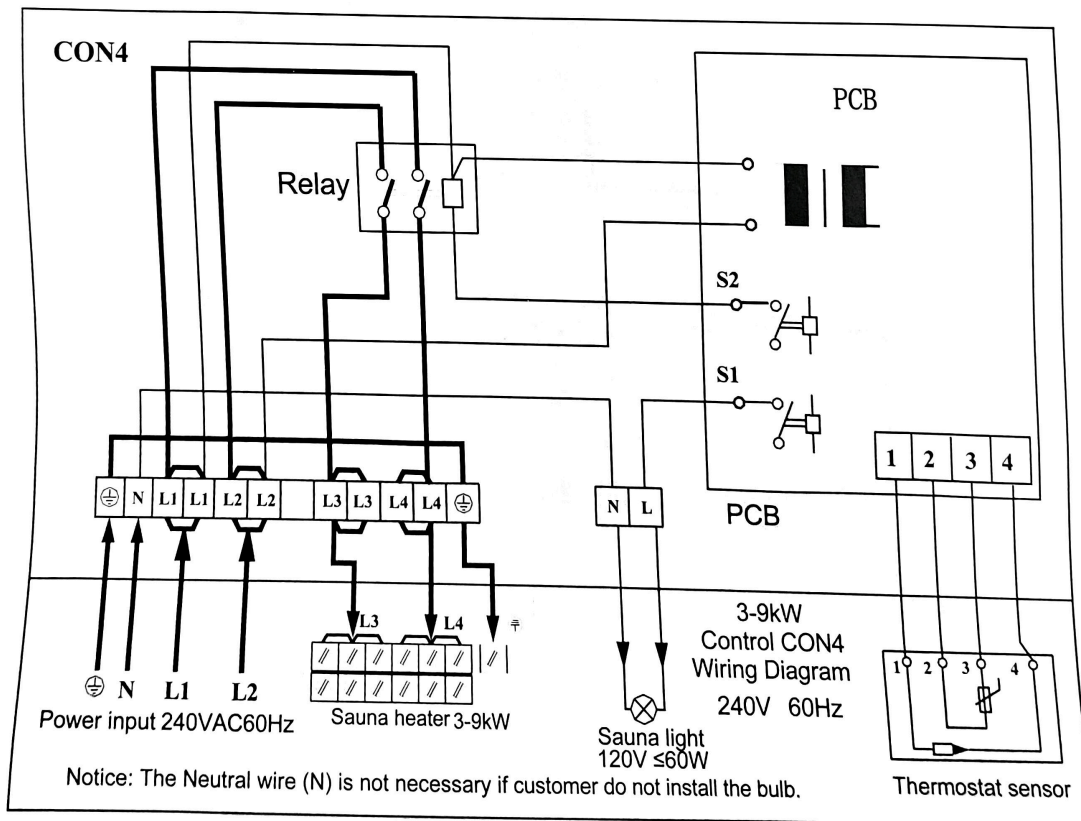
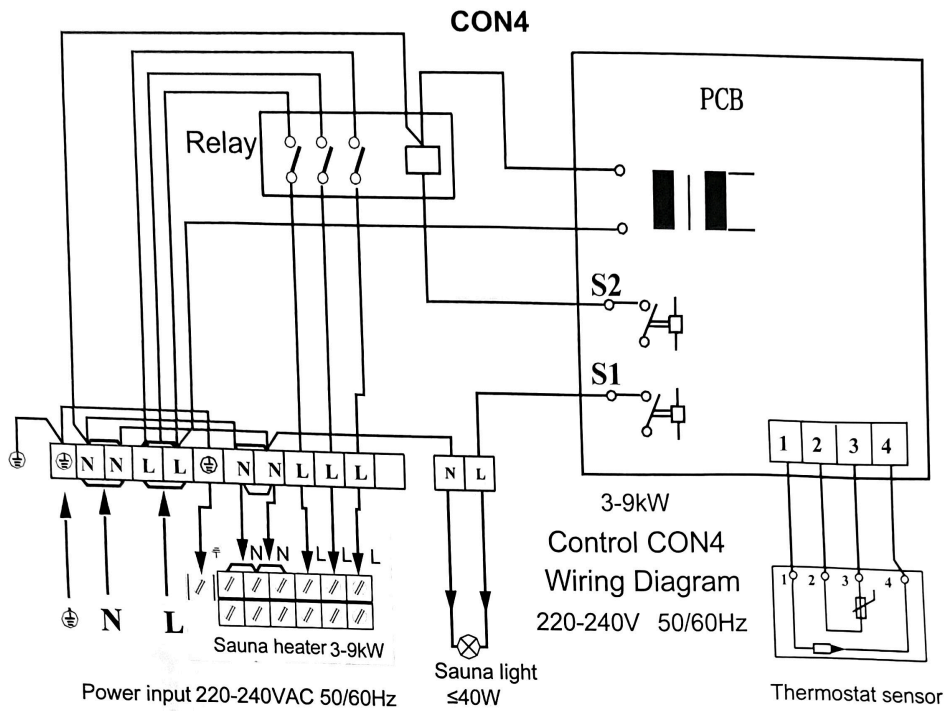


Diagram 4 Wiring diagram for 3~9kW

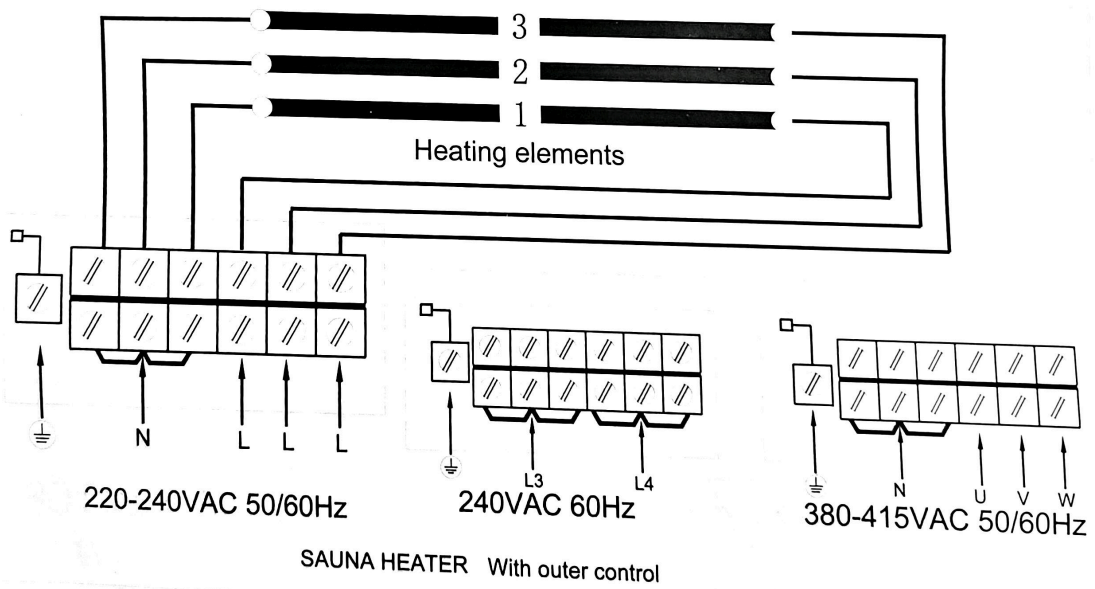
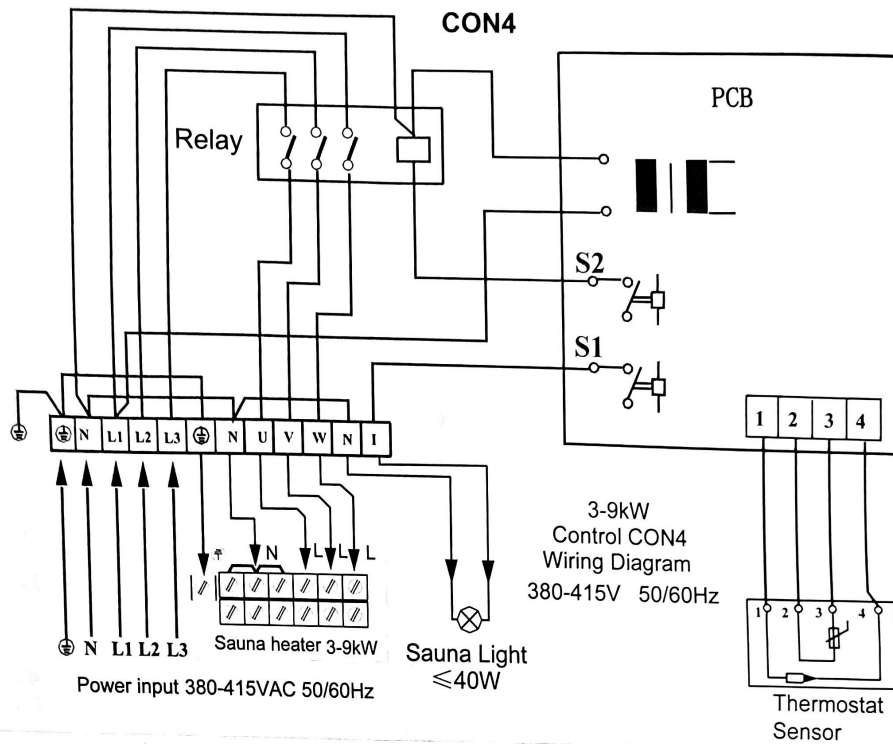
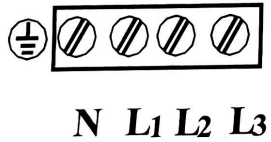
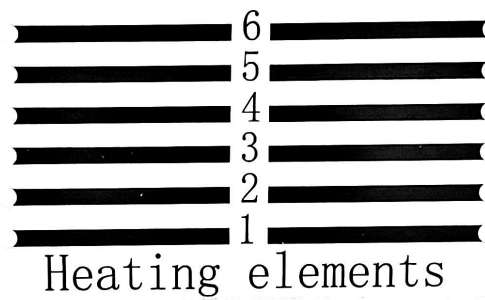
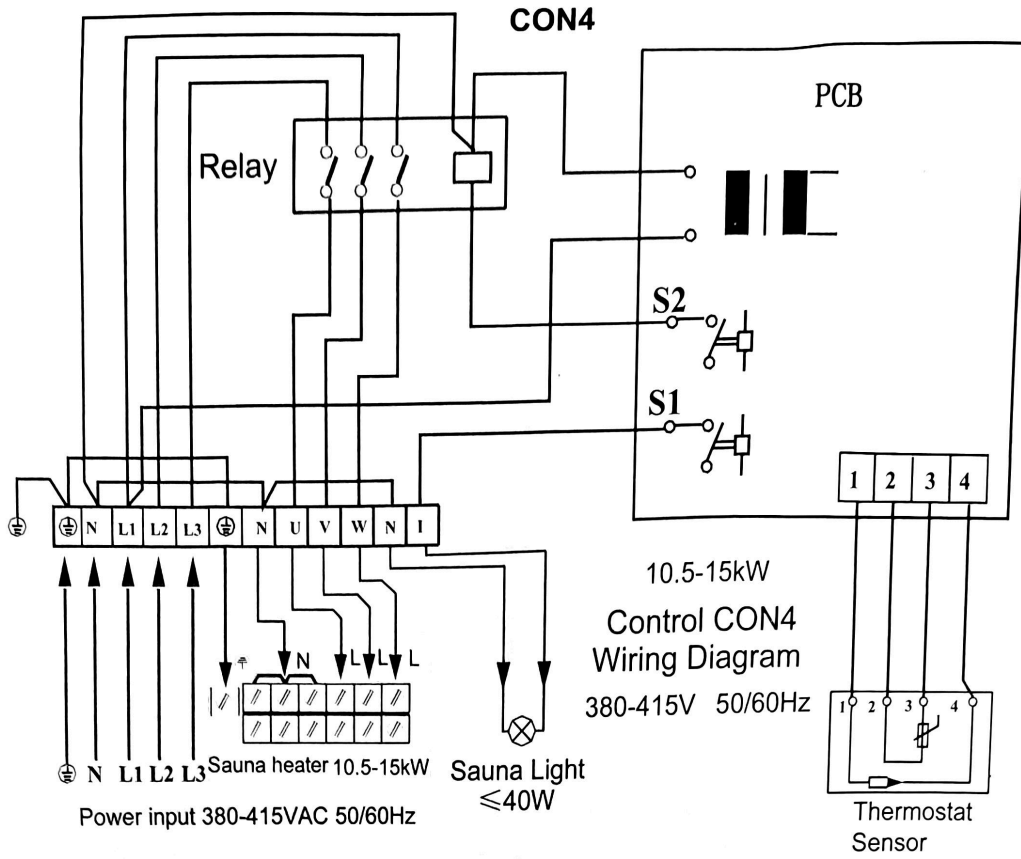


Diagram 5 Wiring diagram for 3~9kW



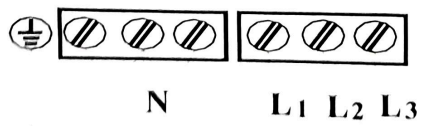
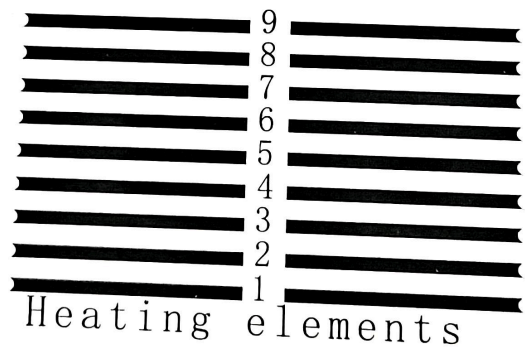
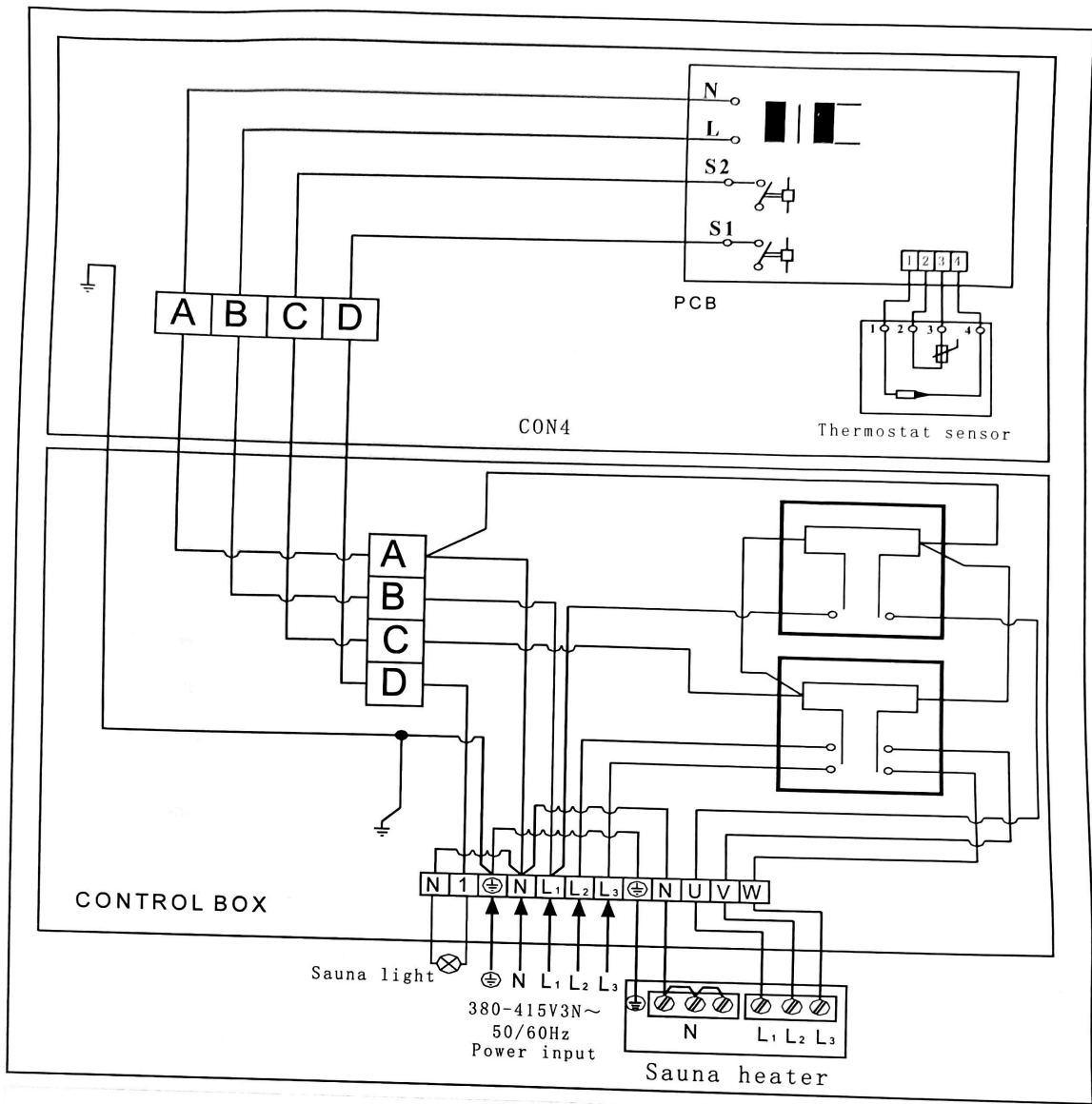
380-415V  
3N~ 50/60Hz

**SAUNA HEATER**  
10.5~15kW



CONTROLLER or CONTROL BOX

Diagram 6 Wiring diagram for 10.5~15kW



380-415V  
3N~ 50/60Hz

SAUNA HEATER  
18~25kW



CONTROL BOX

Diagram 7 Wiring diagram for 18~25kW